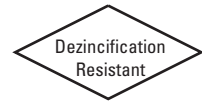


# Class 125 Bronze Ring Check® Valves

Inline Lift Type • Resilient Discs • Spring Actuated

**125 PSI/8.6 Bar Saturated Steam (PTFE Disc)**  
**250 PSI/17.2 Bar Non-Shock Cold Working Pressure**



CONFORMS TO MSS SP-80

## MATERIAL LIST

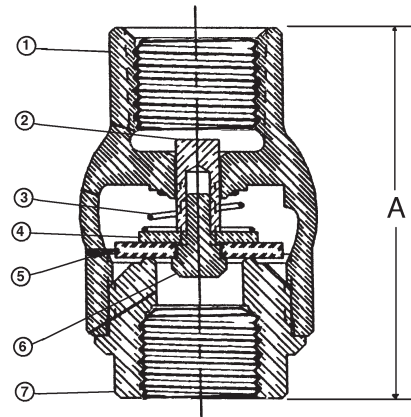
PART	SPECIFICATION
1. Body	Bronze ASTM B 584 Alloy C84400
2. Stem	Stainless Steel ASTM A 582 Alloy C30300
3. Spring	316 Stainless Steel
4. Disc Holder	Stainless Steel Type 301
5. Disc	Water, Oil or Gas (Buna-N) Steam (PTFE) (Y)
6. Seat Screw	Stainless Steel ASTM A 276 Alloy S43000
7. Body End	Bronze ASTM B 584 Alloy C84400



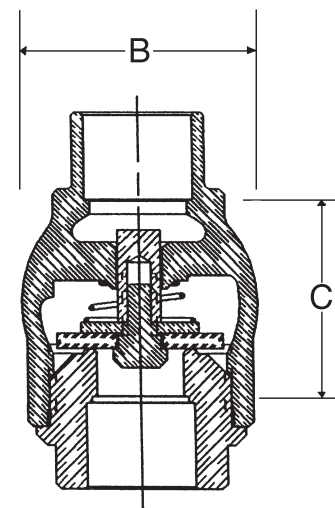
**T-480**  
Threaded



**S-480**  
Solder



**T-480-Y (PTFE Disc)**  
NPT x NPT



**S-480-Y (PTFE Disc)**  
C x C

## DIMENSIONS—WEIGHTS—QUANTITIES

Size	Dimensions						T-480		S-480		Master Ctn. Qty.	
	A		B		C		Lbs.	mm.	Lbs.	Kg.		
In.	mm.	In.	mm.	In.	mm.	In.	mm.					
3/8	10	2.00	51	1.38	35	1.44	37	0.41	0.19	0.44	0.20	100
1/2	15	2.06	52	1.38	35	1.19	30	0.36	0.16	0.40	0.18	100
3/4	20	2.25	57	1.63	41	1.31	33	0.48	0.22	0.52	0.24	100
1	25	2.63	67	2.00	51	1.50	38	0.77	0.35	0.85	0.39	50
1 1/4	32	2.94	75	2.38	60	1.69	43	1.14	0.51	1.28	0.58	30
1 1/2	40	3.31	84	2.75	70	2.00	51	1.63	0.74	1.75	0.79	30
2	50	3.69	94	3.38	86	2.31	59	2.27	1.03	2.70	1.23	10

Ordering: The T-480 and S-480 both have standard Buna-N Discs.  
Also available with PTFE (Y) Discs; specify T-480-Y or S-480-Y.  
3/8" thru 2" require 1/2 pound pressure to open.

◆ For detailed Operating Pressure, refer to Pressure Temperature Chart on page 111.

NIBCO check valves may be installed in both horizontal and vertical lines with upward flow or in any intermediate position.

Warning – Do Not Use For Reciprocating Air Compressor Service.