

Fig. 324 - Pipe Roll Hanger

Component of State of California OSHPD Approved Seismic Restraints System

Size Range — 2½" thru 24" pipe

Material — Cast iron and carbon steel

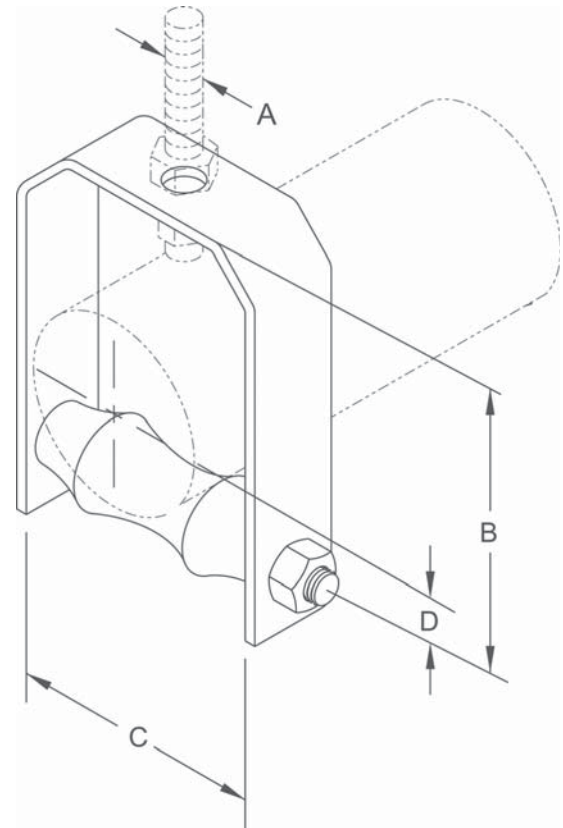
Function — For supporting pipe where movement may occur due to thermal expansion.

Approvals — Conforms to Federal Specification WW-H-171E, Type 44, 1" thru 20", and Manufacturers Standardization Society SP-69, Type 43. Included in our Seismic Restraints Catalog approved by the State of California Office of Statewide Health Planning and Development (OSHPD). For additional load, spacing and placement information relating to OSHPD projects, please refer to the TOLCO® Seismic Restraint Systems Guidelines.

Note — When pipe line is insulated, total outside diameter of pipe and covering should be used to determine size of hanger; also see Figs. 260-1 to 265-4.

Finish — Plain

Note — Available in Electro-Galvanized and HDG finish or Stainless Steel materials.



Dimensions • Weights

| Pipe Size | Rod Size A | B | C | D | Max. Rec. Load Lbs. | Approx. Wt./100 |
|-----------|---------------|---------------------------------|---------------------------------|----------------------------------|------------------------|--------------------|
| 2½ | 1/2 | 5 ¹⁵ / ₁₆ | 3 ⁵ / ₁₆ | 1 ⁷ / ₈ | 225 | 171 |
| 3 | 1/2 | 6 ⁵ / ₈ | 3 ¹⁵ / ₁₆ | 2 ³ / ₁₆ | 310 | 224 |
| 3½ | 1/2 | 7 ¹ / ₄ | 4 ³ / ₈ | 2 ⁹ / ₁₆ | 390 | 250 |
| 4 | 5/8 | 7 ⁷ / ₈ | 5 ¹ / ₁₆ | 2 ⁷ / ₈ | 475 | 372 |
| 5 | 5/8 | 9 ¹ / ₈ | 6 ¹ / ₈ | 3 ⁷ / ₁₆ | 685 | 649 |
| 6 | 3/4 | 10 ³ / ₁₆ | 7 ¹ / ₁₆ | 4 ¹ / ₁₆ | 780 | 869 |
| 8 | 7/8 | 12 ¹ / ₂ | 9 ³ / ₁₆ | 5 ¹ / ₁₆ | 780 | 1368 |
| 10 | 7/8 | 15 ⁵ / ₁₆ | 11 ³ / ₈ | 6 ⁵ / ₁₆ | 965 | 1909 |
| 12 | 7/8 | 17 ⁹ / ₁₆ | 13 ¹ / ₂ | 7 ⁷ / ₁₆ | 1200 | 3001 |
| 14 | 1 | 20 ¹ / ₄ | 14 ⁵ / ₈ | 8 ⁷ / ₁₆ | 1200 | 3578 |
| 16 | 1 | 22 ³ / ₈ | 16 ⁵ / ₈ | 9 ⁵ / ₁₆ | 1200 | 4150 |
| 18 | 1 | 24 ¹ / ₂ | 18 ⁵ / ₈ | 10 ³ / ₈ | 1400 | 5382 |
| 20 | 1¼ | 26 ³ / ₄ | 20 ⁵ / ₈ | 11 ¹¹ / ₁₆ | 1600 | 7317 |
| 24 | 1½ | 31 ⁹ / ₁₆ | 24 ⁵ / ₈ | 13 ¹³ / ₁₆ | 1600 | 12600 |