

116.706.AB.1

E-Tronic™ 40 Deck Mounted 4" Centerset Lavatory Faucet - AC

Pr oDuCT TyPE

Deck Mounted 4" Centerset Faucet

FEATur ES & SPECIFICATIoNS

- Polished chrome plated finish
- ECAST™ design provides durable brass construction with total lead content less than 0.25% by weighted average
- Efficient dual beam infrared sensors
- Metal spout construction
- 4" C-C Integral body designed for single or 4" mounting installation
- .5 GPM (1.9 L/min) vandal resistant spray outlet, catalog #E2805
- Multiple field adjustable modes and ranges
- Single supply for tempered water
- Above deck hermetically sealed electronics
- Above deck water-tight solenoid with filter screen
- 1/2" NPSM brass shank with filter screen
- Geberit Commander™ software compatible
- Mounting hardware included
- 12 volt AC transformer required (order separately)

OPTIoNAL ACCESSo r IES

- 8" C-C Trim cover plate
- Mechanical mixing valve - below deck
- Thermostatic mixing valve
- Single use plug-in transformer
- Multi-use hardwire transformer

PEr Fo r MANCE SPECIFICATIoN

- r ated o perating Pressure: 20-125 PSI
- r ated o perating Temperature: 40-140° F

WA r r ANTy

- 5-year Limited Faucet Warranty
- 3-year Limited Electronics and Solenoid Warranty
- 1-year Limited Finish Warranty

CoMPLIANT To

- CA AB1953 (2006)
- ASME A112.18.1M
- ADA ANSI/ICC A117.1
- VT S.152
- CSA B125

Job Name _____

Item Number _____

Section/Tag _____

Model Specified _____

Architect _____

Engineer _____

Contractor _____

Submitted as Shown Submitted with Variations

Date _____



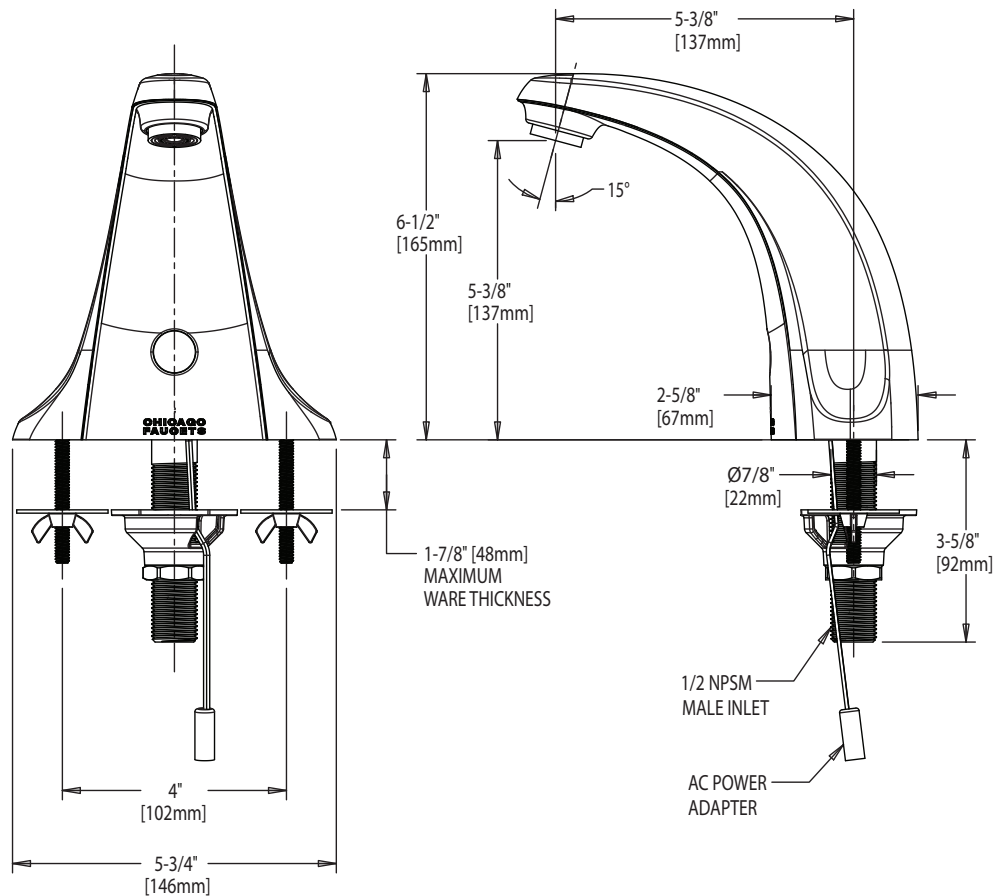
2100 South Clearwater Drive
 Des Plaines, IL 60018
 P: 847/803-5000
 F: 847/803-5454
 Technical: 800/TEC-TRUE
 www.chicagofaucets.com

116.706.AB.1

E-Tronic™ 40 Deck Mounted 4" Centerset Lavatory Faucet - AC

ArchITECT/ENGINEER SPECIFICATIOn

Chicago Faucets No. 116.706.AB.1, Polished chrome plated metal construction. Metal spout with .5 GPM vandal resistant spray outlet. Multiple field adjustable modes and ranges. Above deck hermetically sealed electronics module and solenoid with filter screen. 1/2" NPSM brass shank with filter screen. Geberit Commander™ software compatible. Mounting hardware included. 12 volt AC transformer required (order separately). This product meets ADA ANSI/ICC A117.1 requirements and is tested and certified to industry standards: ASME A112.18.1, CSA B125, CA AB1953 (2006) and VT S.152.



OPERATION AND MAINTENANCE

Installation should be in accordance with local plumbing codes. Flush all pipes thoroughly before installation. After installation, remove spout outlet or flow control and flush faucet thoroughly to clear any debris. Care should be taken when cleaning this product. Do not use abrasive cleaners, chemicals or solvents as they can result in surface damage. Use mild soap and warm water for cleaning and protecting the life of Chicago Faucet products. For specific operation and maintenance refer to the installation instructions and repair parts documents that are located at www.chicagofaucets.com.

Chicago Faucets, member of the Geberit Group, is the leading brand of commercial faucets and fittings in the United States, offering a complete range of products for schools, laboratories, hospitals, office buildings, food service, airports and sport facilities. Call 1.800.TEC TRUE or 1.847.803.5000 option 1 for installation or other technical assistance.

2100 South Clearwater Drive
Des Plaines, IL 60018
P: 847/803-5000
F: 847/803-5454
Technical: 800/TEC-TRUE
www.chicagofaucets.com

