

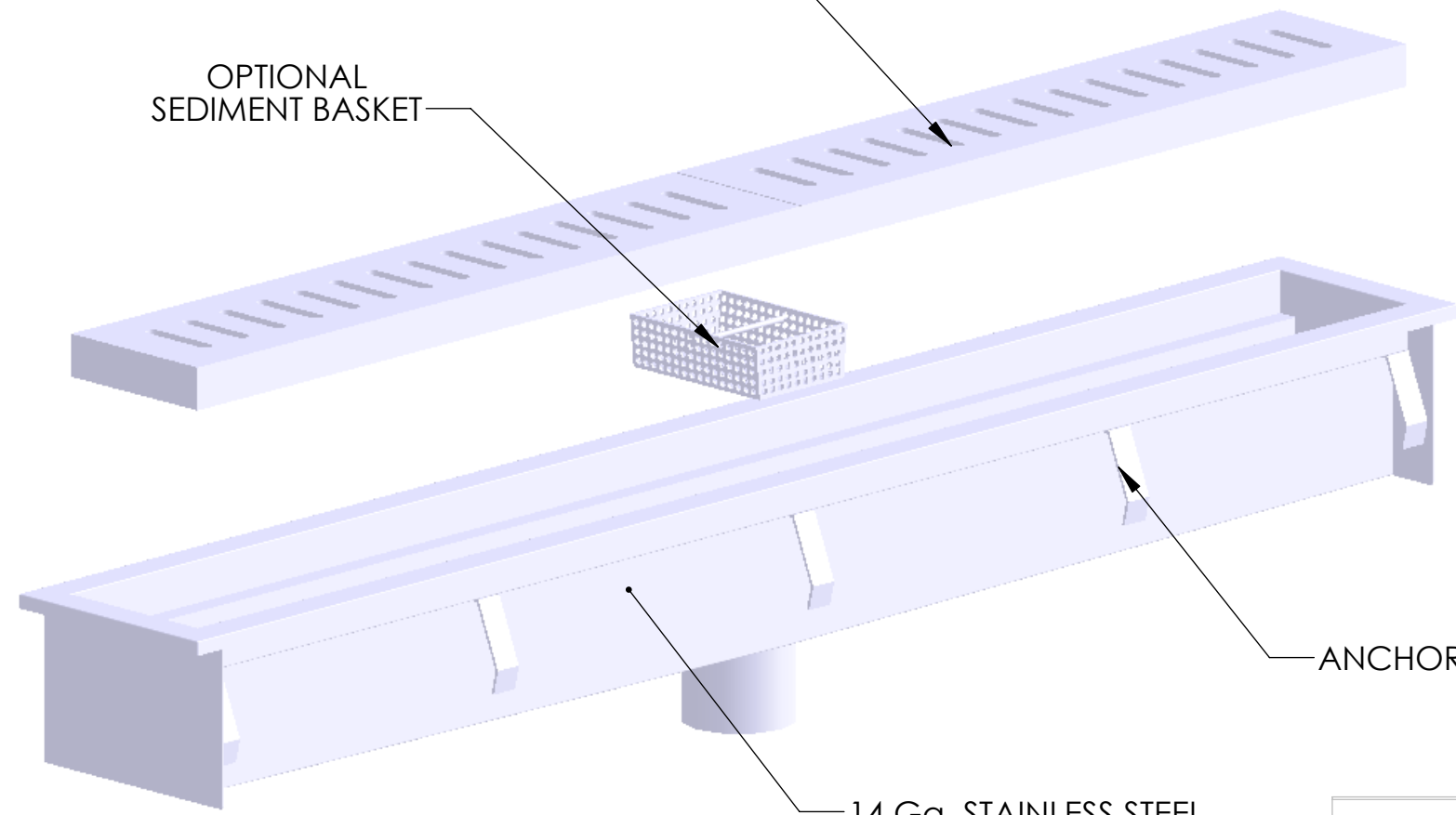
AVAILABLE
OUTLET SIZES: 2", 3", 4", 5", 6"

OUTLET SIZE _____

CUSTOMER APPROVAL _____

HEAVY DUTY SLOTTED GRATING
.25" TOP PLATE
3.00" SLOTS, .50" WD ON 1.75" CENTERS
2 GRATES AT 28.75" EACH

OPTIONAL
SEDIMENT BASKET



14 Ga. STAINLESS STEEL
DRAIN BODY

ANCHOR TAB

8.50
O.D.

6.00
I.D.

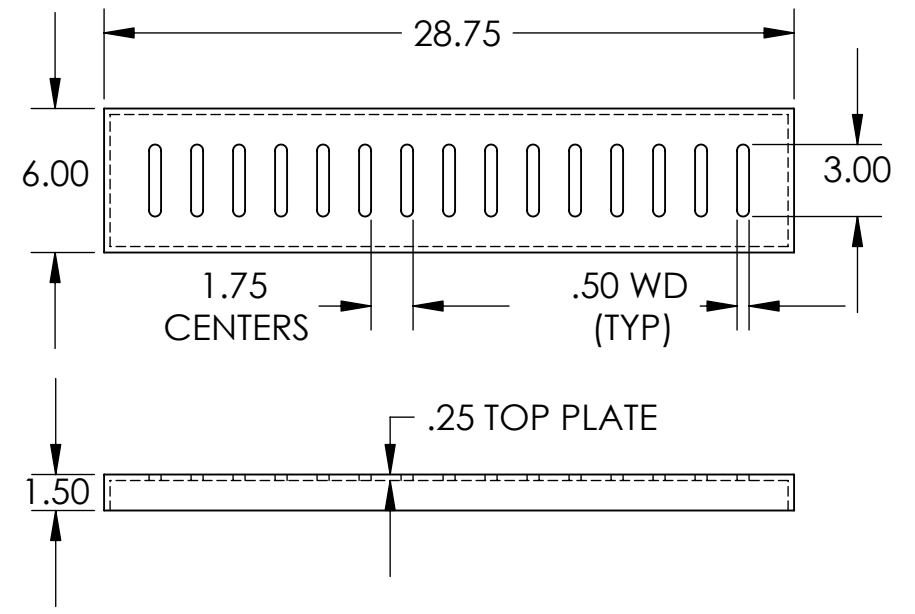
6.00
START
DEPTH

6.30
CENTER
DEPTH

57.50

5'

**ALSO AVAILABLE WITH
END DISCHARGE**



***** ALL DIMENSIONS ARE NOMINAL DIMENSIONS
AND ARE SUBJECT TO CHANGE *****

StainlessDrains.com
888.785.2345

PROPRIETARY AND CONFIDENTIAL
THE INFORMATION CONTAINED IN THIS
DRAWING IS THE SOLE PROPERTY OF
STAINLESS DRAINS. ANY
REPRODUCTION IN PART OR AS A WHOLE
WITHOUT THE WRITTEN PERMISSION OF
STAINLESS DRAINS IS PROHIBITED.

UNLESS OTHERWISE SPECIFIED:		NAME	DATE
DIMENSIONS ARE IN INCHES		DRAWN	AM
TOLERANCES:		CHECKED	SD
FRACTIONAL ±		ENG APPR.	
ANGULAR: MACH ± BEND ±		MFG APPR.	
TWO PLACE DECIMAL ±		Q.A.	
THREE PLACE DECIMAL ±		COMMENTS:	
INTERPRET GEOMETRIC TOLERANCING PER:			
MATERIAL			
FINISH			
NEXT ASSY	USED ON		
APPLICATION		DO NOT SCALE DRAWING	

StainlessDrains.com
a division of East Creek Corp
P. O. Box 1278 Greenville, TX 75403
Toll Free 888-785-2345

TITLE:
CSD6X5.25SE3SB

SIZE B	DWG. NO.	REV
------------------	----------	-----